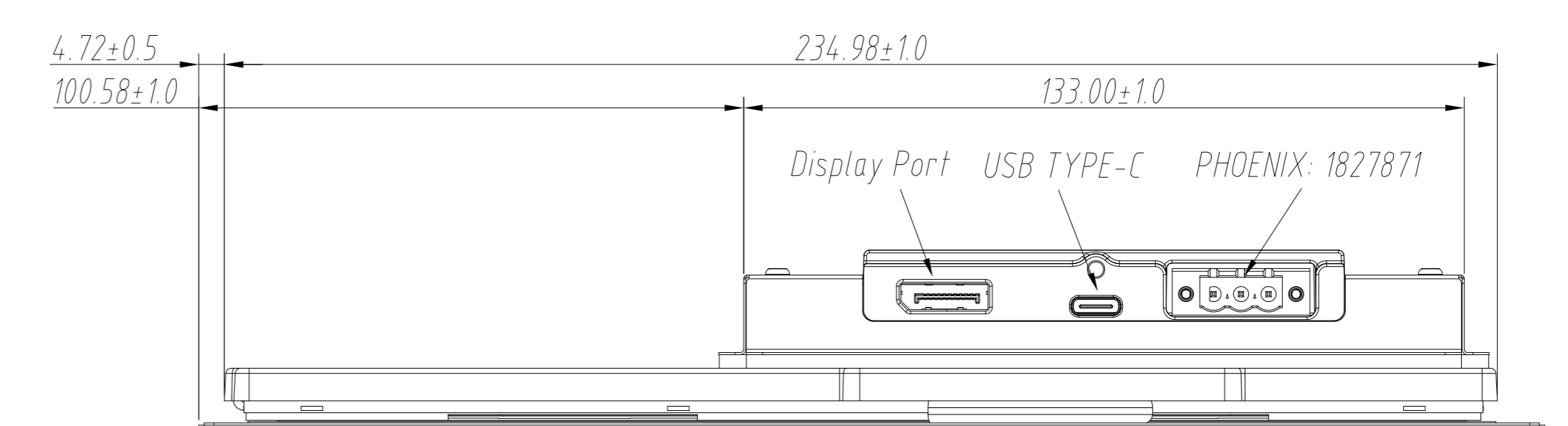
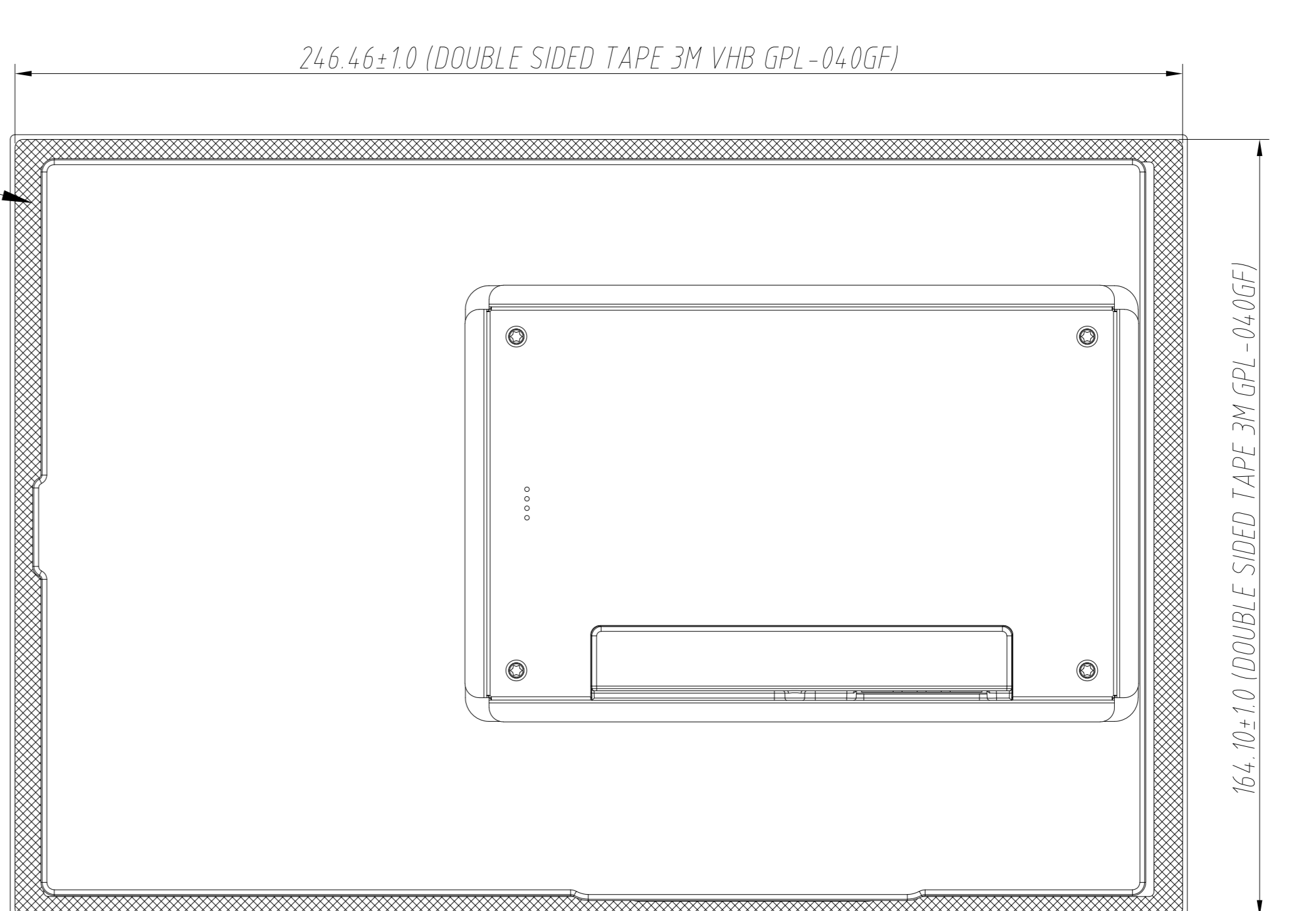
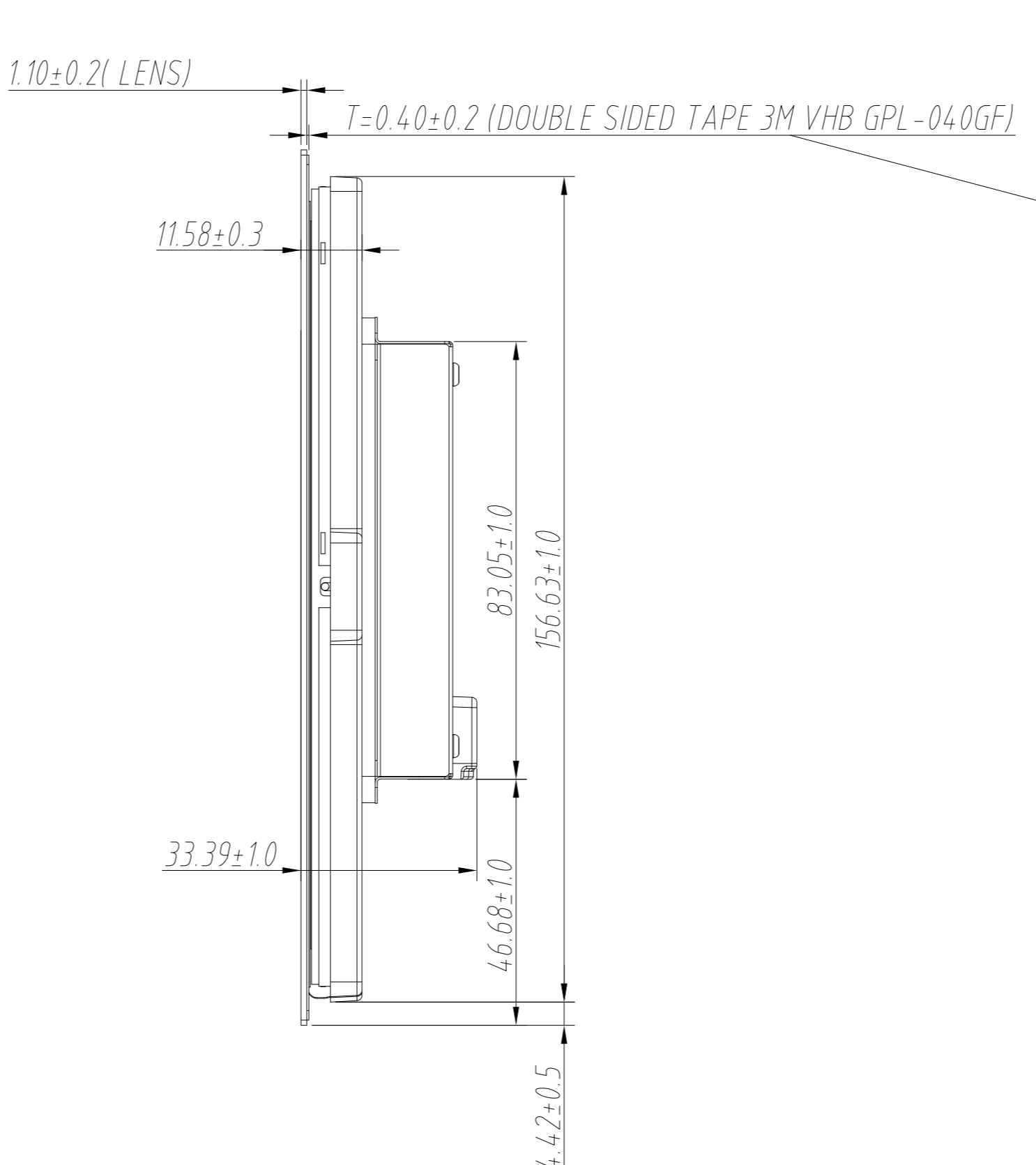
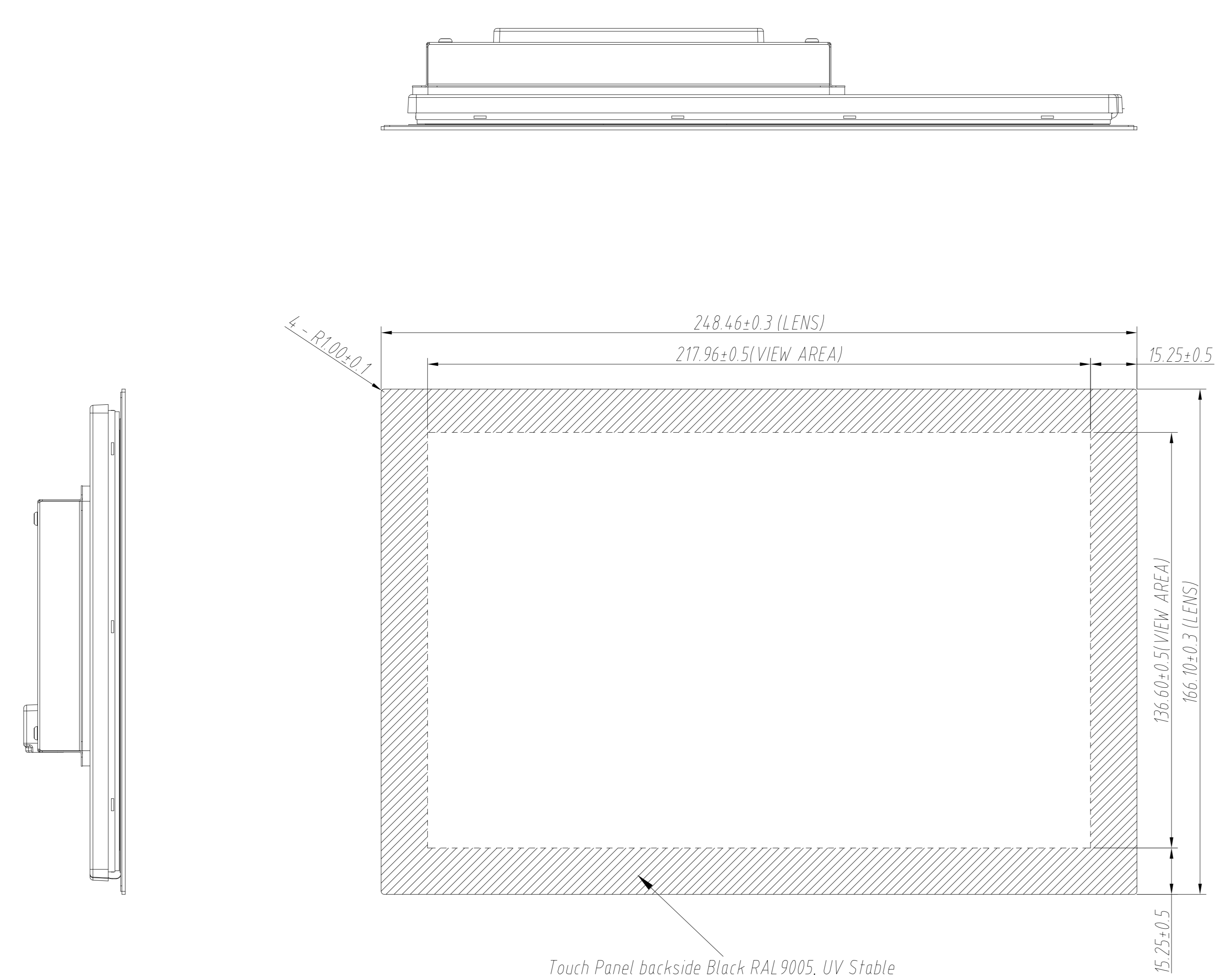


4 3 2 1

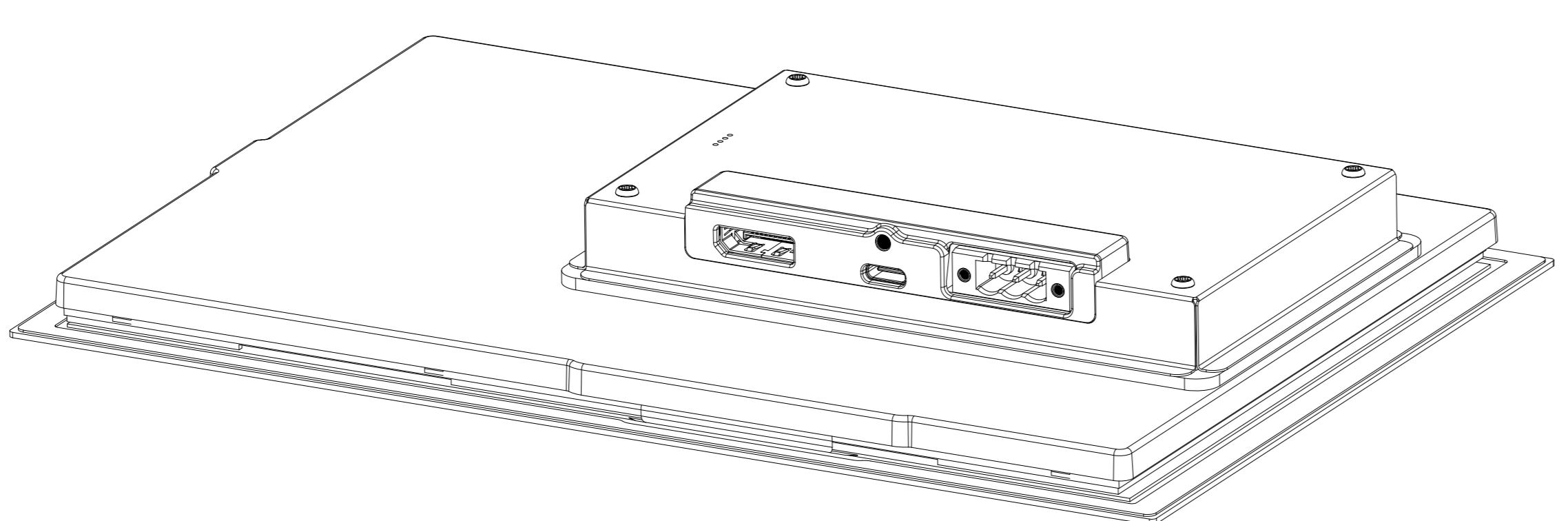
B

B



A

A



4 3 2 1

			DATE	NAME	SCALE	
			2023.03.21	Gavin.Qian	1:1	
			CHK'ED			
			APPR		Size	A0
REVISIONS			UNLESS OTHERWISE SPECIFIED			DESCRIPTION
MATERIAL			DIMENSIONS ARE IN MILLIMETERS			
PLATING			TOLERANCES			TOUCH DISPLAY MONITOR DL-DM1010-DP DIMENSION
THIRD ANGLE PROJECTION			DECIMALS			
			X.XX± 0.10			PART NUMBER
			X.X ± 0.25			
			ANGULAR			103603
			± 1'			
THIS DRAWING AND INFORMATION IS THE PROPERTY OF DLOGIC LLC.						REV.
						1.0

DLOGIC LLC.